

Large LED Wallpack LED | 40, 65, 82, or 100 watts

Features

- Construction
 - One-piece die-cast aluminum housing and hinged, removable die-cast aluminum door
 - One-piece silicone gasket seals the optical chamber
 - Housing has a textured bronze finish
 - Borosilicate molded glass lens
 - 1/2" conduit access, sides, top, or rear knockouts
- Photocell adaptable and UL listed for wet locations
- LED driver and electrical components are mounted to the die-cast housing for optimal heat sinking and operating efficiency
- UL recognized integral LED electronic driver is Class 2 rated for 120–277V, 50/60Hz
- High output LEDs provide 80+ CRI in 5000 K CCT
- The LED system delivers, on average, 70% of lumen maintenance (L70) at 60,000 hours
- 5 Year warranty

Project:	
Catalog#:	
Approved by:	
Date:	



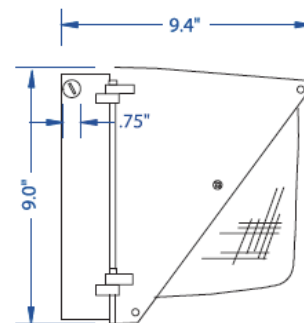
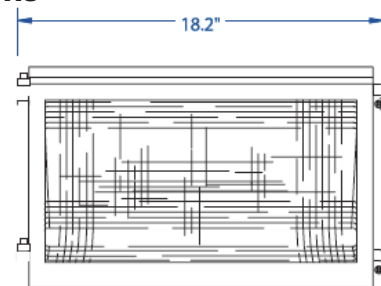
Ordering Information			
UPC Code	Catalogue #	Lumens	Input Watts
08381	LWP-5090-LED-MV	9010	97
08382	LWP-5075-LED-MV	7340	83
08383	LWP-5055-LED-MV	5200	55
08384	LWP-4035-LED-MV*	3360	40

* This model is not listed in DLC QPL and only available in 4000K CCT. Please visit www.designlights.org for the latest Qualified Products List.

Applications

Ideal for parking facilities, entry ways, perimeter/pathway lighting for underpasses.

Dimensions



Cross Reference Chart				
Comparable to HID		LED Replacement		Energy Savings
Source	Input Watts [§]	Cat. #	Input Watts	Percentage
400W	464	LWP-5090-LED-MV	97	79%
250W	295	LWP-5075-LED-MV	83	71%
150W	185	LWP-5055-LED-MV	55	70%
100W	129	LWP-4035-LED-MV	40	69%

[§]120V on Quad Tap Ballast

Accessories (sold separately)	
Catalog #	Description
LCPCMV	LED compatible external stem & swivel mount electronic photocontrol [§]
LWPFC	Full cutoff with textured bronze finish
LWPSC	Side cutoff with textured bronze finish

[§]Please use LED compatible electronic components to maintain warranty.

LIGHTING FACTS

LED **lighting facts**
A Program of the U.S. DOE

Light Output (Lumens)	5196
Watts	55.02
Lumens per Watt (Efficacy)	94.44

Color Accuracy Color Rendering Index (CRI)	84
---	----

Light Color
Correlated Color Temperature (CCT) 5000 (Daylight)

Warm White | Bright White | Daylight

2700K 3000K 4500K 6500K

All results are according to IESNA LM-79-2008: *Approved Method for the Electrical and Photometric Testing of Solid-State Lighting*. The U.S. Department of Energy (DOE) verifies product test data and results.

Visit www.lightingfacts.com for the *Label Reference Guide*.

Registration Number: -16ZANQ (5/16/2016)
Model Number: LWP-5055-LED-MV
Type: Luminaire - Area/Roadway

LED **lighting facts**
A Program of the U.S. DOE

Light Output (Lumens)	7339
Watts	82.53
Lumens per Watt (Efficacy)	88.93

Color Accuracy Color Rendering Index (CRI)	84
---	----

Light Color
Correlated Color Temperature (CCT) 5000 (Daylight)

Warm White | Bright White | Daylight

2700K 3000K 4500K 6500K

All results are according to IESNA LM-79-2008: *Approved Method for the Electrical and Photometric Testing of Solid-State Lighting*. The U.S. Department of Energy (DOE) verifies product test data and results.

Visit www.lightingfacts.com for the *Label Reference Guide*.

Registration Number: -FSMFRT (5/16/2016)
Model Number: LWP-5075-LED-MV
Type: Luminaire - Area/Roadway

LED **lighting facts**
A Program of the U.S. DOE

Light Output (Lumens)	9014
Watts	97.25
Lumens per Watt (Efficacy)	92.69

Color Accuracy Color Rendering Index (CRI)	84
---	----

Light Color
Correlated Color Temperature (CCT) 5000 (Daylight)

Warm White | Bright White | Daylight

2700K 3000K 4500K 6500K

All results are according to IESNA LM-79-2008: *Approved Method for the Electrical and Photometric Testing of Solid-State Lighting*. The U.S. Department of Energy (DOE) verifies product test data and results.

Visit www.lightingfacts.com for the *Label Reference Guide*.

Registration Number: -NTC31C (5/16/2016)
Model Number: LWP-5090-LED-MV
Type: Luminaire - Area/Roadway